

# 12W Max. AC/DC Wall Mount Adapter

## 特性/Features

- 100-240VAC通用输入 (Universal Input)
- 保护: (Protections)  
短路 (Short circuit) / 过压 (Over voltage) / 过流 (Over current)
- 能效等级 (Energy Efficiency Level) V or CoC Tier II
- 空载功耗 (No Load Power Consumption)  $\leq 0.1W$  (VI),  $\leq 0.075W$  (Tier II)
- 平均故障间隔时间 MTBF  $> 100,000$  hours

## MYX - XXXYYYYYZ

X: 输出电压范围

X: Output voltage range

3位数字表示输出电压数值, 单位为伏特, 步长为0.1V。如: 050=5.0Vdc, 240=24.0伏直流

3 digits number represents 10 times of the output voltage in volt in step of 0.1V. eg: 050=5.0Vdc, 240=24.0Vdc

Y: 输出电流范围

Y: Output current range

4位数字表示输出电流值的100倍, 单位为A, 步长为0.1A。如: 0100=0.1A, 21000 = 2.1A

4 digits represent 100 times of output current value in A in step of 0.1A. eg: 0100=0.1A, 2100=2.1A.

Z: AC连接类型

Z: AC connection type

Z: EU代表欧洲插头; US代表美国插头; CN代表中国插头, AU代表澳大利亚插头, JP代表日本插头, UK代表英国插头, K代表韩国插头, CP代表使用的转换插头

Z: Stands for plug type. EU stands for European plug; US stands for United States plug; CN stands for China plug, AU stands for Australian plug, JP stands for Japanese plug, UK stands for United Kingdom plug, K stands for Korea plug, CP means conversion plug used

### 注意NOTE:

- 1: 纹波和噪声是通过使用20MHz带宽限制示波器测量的, 在满载和标称电压条件, 每个输出端并联0.1uF陶瓷电容和47uF铝电容  
Ripple & Noise is measured by using 20MHz bandwidth limited oscilloscope and terminated each output with a 0.1uF ceramic capacitor & parallel with 47uF aluminum capacitor at full load and nominal line.
- 2: 线性调整率定义为输入电压在10%变化时, 输出电压的变化率在额定范围内。  
Line regulation is defined by changing  $\pm 10\%$  of input voltage from nominal line at rated load.
- 3: 最大输出功率 (W)  $\geq V_o \times I_o$   
Max. Power (W)  $\geq V_o \times I_o$

# 12W Max. AC/DC Wall Mount Adapter

## 电性规格/Electrical Specification

### 输入 (INPUT)

- 输入范围 (Input Range) 100 to 240 VAC
- 频率 (Frequency) 50 to 60Hz
- 输入电流 (Input Current)  $\leq 0.5A$
- 浪涌电流 (Inrush Current) 30A/100VAC 60A/230VAC
- 保持时间 (Hold Up Time)  $\geq 8.3ms$
- 启动时间 (Turn On Time)  $\leq 3s$

### 输出 (OUTPUT)

- 短路保护 (Short Circuit Protection) 自动恢复 Auto Recovery
- 过压保护 (Over Voltage Protection) 自动恢复 Auto Recovery
- 过流保护 (Over Current Protection) 自动恢复 Auto Recovery

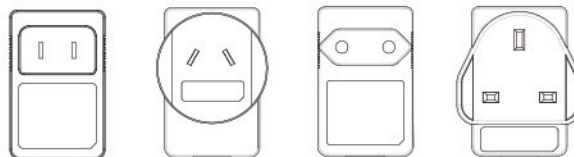
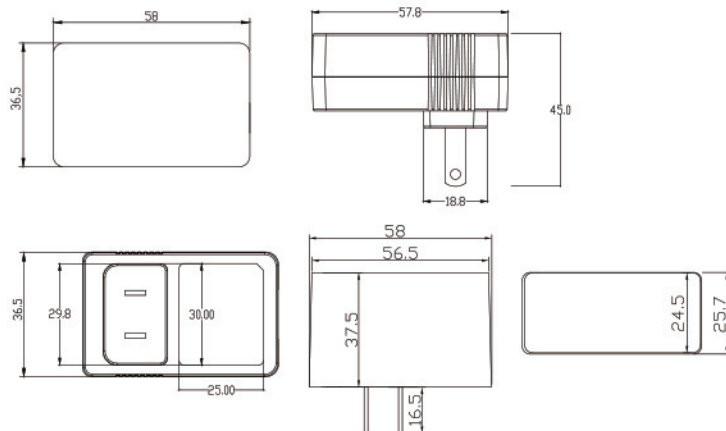
### 环境 (ENVIRONMENT)

- 工作温度 (Operating Temperature ) 0 to 40°C
- 存储温度 (Storage Temperature ) -20 to 85°C
- 工作湿度 (Operating Humidity ) 10% to 90%
- 储存湿度 (Storage Humidity ) 5% to 95%

### 安全 (SAFETY)

- 认证标准 (Certification standard): ETL 1310, EN 62368 CE, CB EN61347
- 全系列认证 (Certified for whole series): CCC, CE, FCC, PSE, ETL, BIS, IRAM, KC, KCC

## 结构规格书/Mechanical Specification



- 尺寸 (Case Size): 57.8\*36.5\*45 (mm)
- AC插头 (AC Plug): U: USA, E: EU, BS: UK, A: SAA, C: China S: South Africa, K: Korea, I: India
- 重量 (Weight): 76g

型号 MODEL No.	输出功率 (W) MAX. OUTPUT POWER (W)	输出电压 (Vo) OUTPUT VOLTAGE (VO)	最小负载 (Io) MIN. LOAD (IO)	最大负载 (Io) MAX. LOAD (IO)	负载调整率 LOAD REGULATION	线性调整率 LINE REGULATION	纹波和噪声 RIPPLE & NOISE
MYX-0502000	10W	5V	0A	2.0A	±5%	±1%	200mV
MYX-0901000	12W	9V	0A	1.2A	±5%	±1%	200mV
MYX-1201000	12W	12V	0A	1.0A	±5%	±1%	200mV
MYX-2400500	12W	24V	0A	0.5A	±5%	±1%	200mV

# 12W Max. AC/DC Interchangeable Adapter

## 特性/Features

- 100-240VAC通用输入 (Universal Input)
- 保护: (Protections)  
短路 (Short circuit) / 过压 (Over voltage) / 过流 (Over current)
- 能效等级 (Energy Efficiency Level) V or CoC Tier II
- 空载功耗 (No Load Power Consumption)  $\leq 0.1W$  (VI),  $\leq 0.075W$  (Tier II)
- 平均故障间隔时间 MTBF  $> 100,000$  hours

## MYX - XXXYYYYCP

X: 输出电压范围

X: Output voltage range

3位数字表示输出电压数值, 单位为伏特, 步长0.1V。如: 050 = 5.0Vdc, 240 = 24.0伏直流

3 digits number represents 10 times of the output voltage in volt in step of 0.1V. eg: 050=5.0Vdc, 240=24.0Vdc

Y: 输出电流范围

Y: Output current range

4位数字表示输出电流值的100倍, 单位为A, 步长为0.1A。如: 0100 = 0.1A, 2100 = 2.1A

4 digits represent 100 times of output current value in A in step of 0.1A. eg: 0100=0.1A, 2100=2.1A.

Cp代表转换头设计

"CP" stands for transformable pinplug



### 注意NOTE:

- 1: 纹波和噪声是通过使用20MHz带宽限制示波器测量的, 在满载和标称电压条件, 每个输出端并联0.1uF陶瓷电容和47uF铝电容  
Ripple & Noise is measured by using 20MHz bandwidth limited oscilloscope and terminated each output with a 0.1uF ceramic capacitor & parallel with 47uF aluminum capacitor at full load and nominal line.
- 2: 线性调整率定义为输入电压在10%变化时, 输出电压的变化率在额定范围内。  
Line regulation is defined by changing  $\pm 10\%$  of input voltage from nominal line at rated load.
- 3: 最大输出功率 (W)  $\geq V_o \times I_o$   
Max. Power (W)  $\geq V_o \times I_o$

# 12W Max. AC/DC Interchangeable Adapter

## 电性规格/Electrical Specification

### 输入 (INPUT)

- 输入范围 (Input Range) 100 to 240 VAC
- 频率 (Frequency) 50 to 60Hz
- 输入电流 (Input Current)  $\leq 1.0A$
- 浪涌电流 (Inrush Current) 30A/100VAC 60A/230VAC
- 保持时间 (Hold Up Time)  $\geq 8.3ms$
- 启动时间 (Turn On Time)  $\leq 3s$

### 输出 (OUTPUT)

- 短路保护 (Short Circuit Protection) 自动恢复 Auto Recovery
- 过压保护 (Over Voltage Protection) 自动恢复 Auto Recovery
- 过流保护 (Over Current Protection) 自动恢复 Auto Recovery

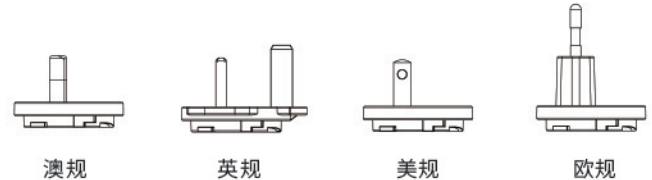
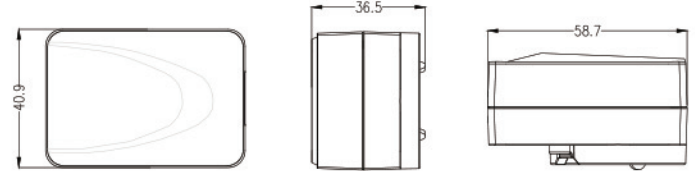
### 环境 (ENVIRONMENT)

- 工作温度 (Operating Temperature ) 0 to 40°C
- 存储温度 (Storage Temperature ) -20 to 85°C
- 工作湿度 (Operating Humidity ) 10% to 90%
- 储存湿度 (Storage Humidity ) 5% to 95%

### 安全 (SAFETY)

- 认证标准 (Certification standard): UL/cUL 62368-1, TUV EN 62368-1, CB IEC 62368-1, FCC, CE
- 全系列认证 (Certified for whole series): CCC, BSMI, PSE, RCM, PSE, KC, KCC

## 结构规格书/Mechanical Specification



- 外壳尺寸 (Case Size): 58.7\*40.9\*36.5 (mm)
- AC插头 (AC Plug): U: USA, E: EU, BS: UK, A: SAA, C: China S: South Africa, K: Korea, I: India
- 重量 (Weight): 87g

型号 MODEL No.	输出功率 (W) MAX. OUTPUT POWER (W)	输出电压 (Vo) OUTPUT VOLTAGE (VO)	最小负载 (Io) MIN. LOAD (IO)	最大负载 (Io) MAX. LOAD (IO)	负载调整率 LOAD REGULATION	线性调整率 LINE REGULATION	纹波和噪声 RIPPLE & NOISE
EA1012A	12W	5~8V	0A	2.4A	±5%	±1%	100mV
EA1012B	12W	9~11V	0A	1.33A	±5%	±1%	180mV
EA1012C	12W	12~17V	0A	1.0A	±5%	±1%	250mV
EA1012D	12W	18~24V	0A	0.66A	±5%	±1%	350mV